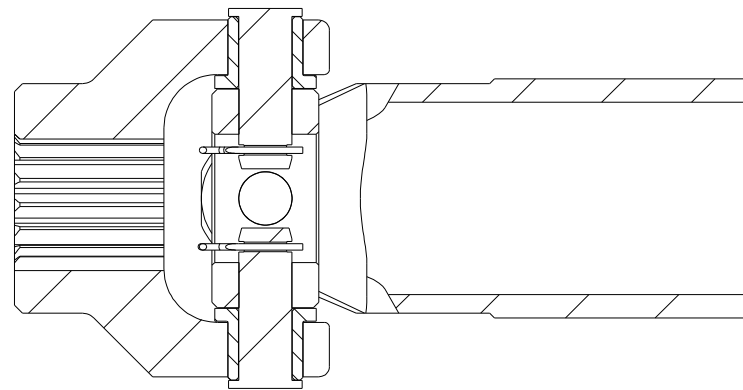
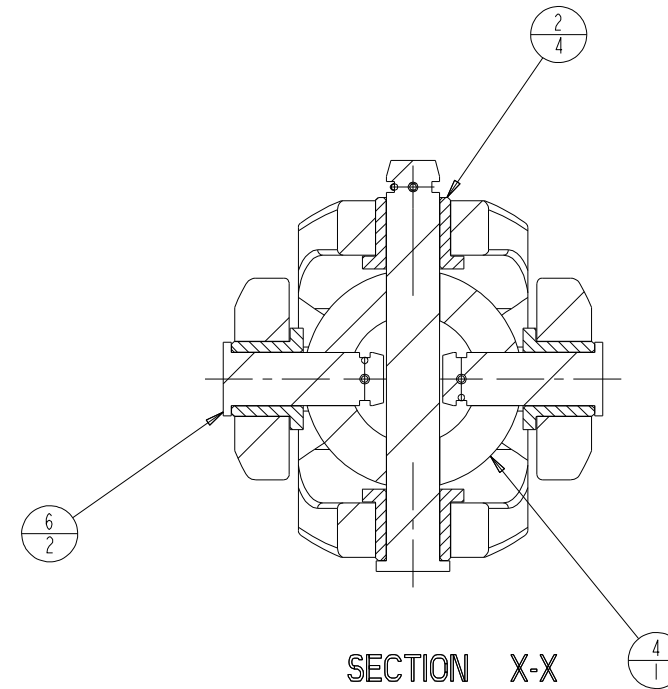
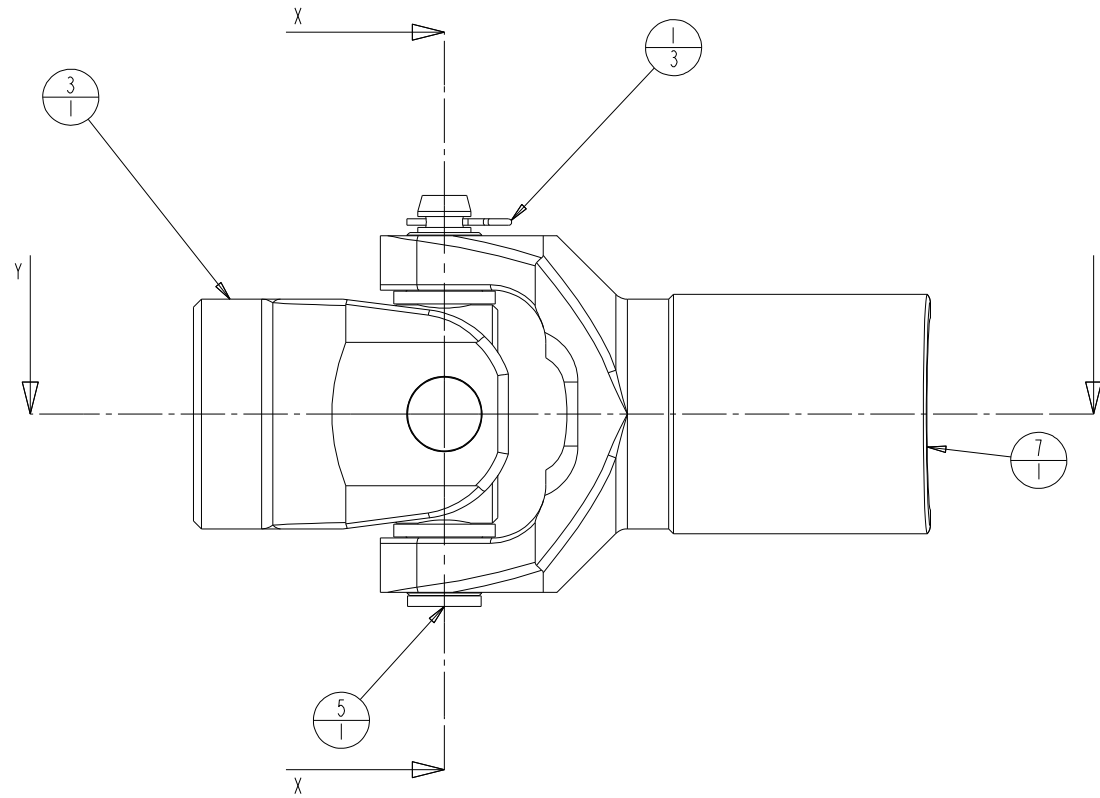


FIRST ANGLE PROJECTION

REMOVE ALL BURRS AND SHARP EDGES

ISSUE	REVISION	MOD No.	DATE
A	FIRST ISSUE	N/A	17-Aug-06

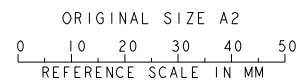


SECTION Y-Y

7	40005001	L/W COUPLING HALF M/C	40004417	1
6	40004348	COUPLING PIN	FV520B	2
5	40004347	COUPLING PIN	FV520B	1
4	40004346	GIMBAL	FV520B	1
3	40004159	L/W COUPLING HALF M/C	40004417	1
2	40003151	BUSH	TORLON 4203-YELLOW	4
1	15300158	CLIP	STAINLESS	3
ITEM	PART No.	DESCRIPTION	MATERIAL	QTY

EST. WEIGHT = 534g

PART No.
40100405



ORIGINAL SIZE A2
Unauthorised use, manufacture or reproduction
In whole or in part is prohibited

MATERIAL AS SHOWN	ALL DIMENSIONS IN mm	DRN IRW	TITLE UNIVERSAL COUPLING	
	TOLERANCES (UNLESS STATED) LINEAR ± ANGULAR ±	DATE 17-Aug-06		
FINISH AS SHOWN	SCALE 1:1	PART No. 40100405	LEWMAR	
	MODEL NAME: 40100405			